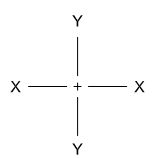
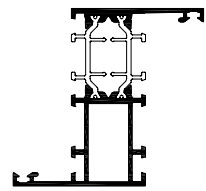
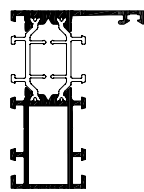
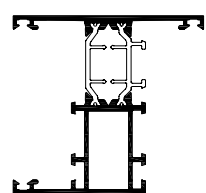
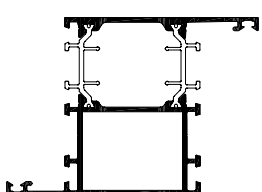
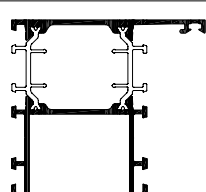
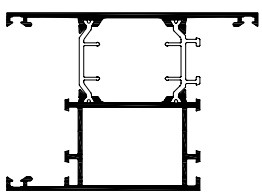
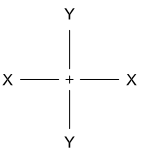
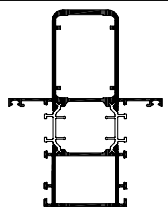
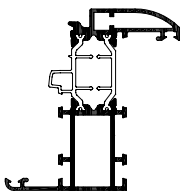
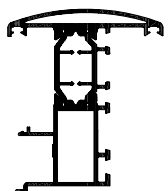
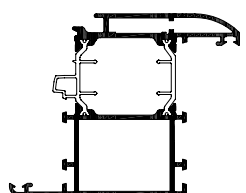
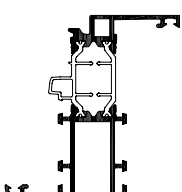
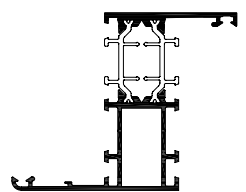


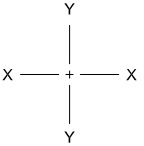
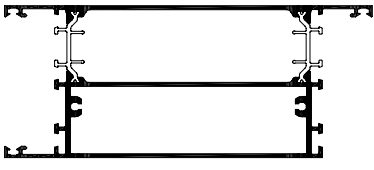
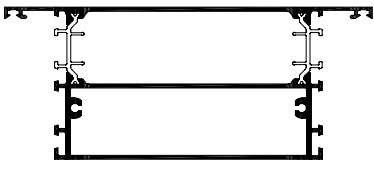
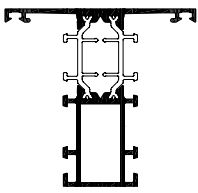
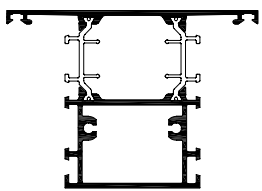
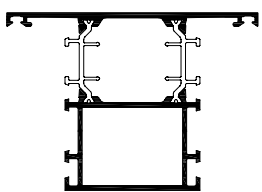
PROFILATI

Codice Code	Sezione Cross Section		Peso <i>Weight</i>	Perimetro Perimeter	Sup. in Vista Exposed surface	Jx	Wx	Jy	Wy
			<i>Kg/m</i>	mm	mm	cm ⁴	cm ³	cm ⁴	cm ³
PR75101			0552						
				1.392	467.5	119.0	32.50	8.68	9.90
			0553						
PR75102			0552						
				1.279	404.0	98.0	26.68	6.65	6.55
			0557						
PR75103			-	-	-	-	-	-	-
PR75104			0560						
				1.479	499.5	142.0	35.31	9.07	12.69
			0553						
PR75105			0556						
				1.736	514.0	165.0	42.13	11.54	32.80
			0530						
PR75106			0556						
				1.626	450.5	143.0	36.65	9.49	26.42
			0538						
PR75107			-	-	-	-	-	-	-
PR75108			0563						
				1.823	545.8	188.0	45.13	11.97	37.91
			0530						

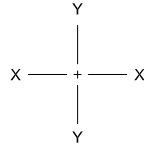
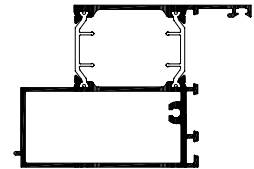
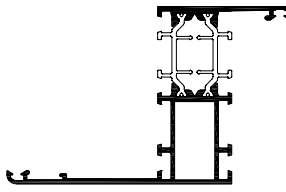
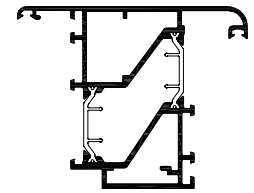
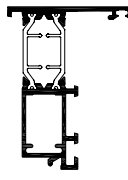
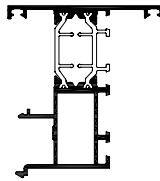
PROFILATI

Codice Code	Sezione Cross Section		Peso <i>Weight</i>	Perimetro Perimeter	Sup. in Vista Exposed surface	Jx	Wx	Jy	Wy
			Kg/m	mm	mm	cm ⁴	cm ³	cm ⁴	cm ³
PR75109			0537						
			2.714	623.3	276.0	141.74	22.89	43.27	9.10
PR75110			0538						
			1.551	436.2	97.5	35.59	9.70	12.06	3.22
PR75111			0583						
			1.569	445.6	113.0	37.26	7.78	11.46	3.27
PR75112			0502						
			2.024	489.6	143.5	54.80	13.30	38.27	7.81
PR75113			0503						
			1.455	439.0	119.0	38.27	9.66	9.80	2.72
PR75114			-	-	-	-	-	-	-
PR75115			-	-	-	-	-	-	-
PR75116			0586						
			1.455	494.0	121.0	35.50	9.83	14.01	2.96
			0559						
			0571						
			0555						
			0552						
			0582						

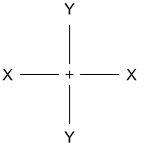
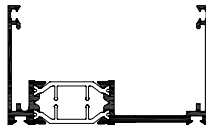
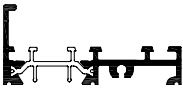
PROFILATI

Codice Code	Sezione Cross Section		Peso <i>Weight</i>	Perimetro Perimeter	Sup. in Vista Exposed surface	Jx	Wx	Jy	Wy
			Kg/m	mm	mm	cm ⁴	cm ³	cm ⁴	cm ³
PR75117			-	-	-	-	-	-	-
PR75118			-	-	-	-	-	-	-
PR75119			-	-	-	-	-	-	-
PR75120		0520	2.994	715.6	322.0	72.92	20.42	263.5	31.59
		0523							
PR75121		0520	2.884	652.0	300.0	67.79	18.32	242.5	29.94
		0521							
PR75122		0560	1.391	463.2	120.0	29.20	6.98	9.94	2.76
		0557							
PR75123		0563	1.885	509.0	166.0	41.32	10.67	34.78	7.32
		0564							
PR75124		0563	1.738	509.0	166.0	39.51	9.85	33.10	6.96
		0538							

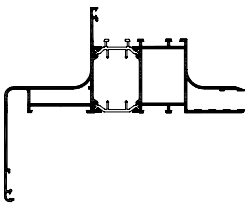
PROFILATI

Codice Code	Sezione Cross Section		Peso <i>Weight</i>	Perimetro Perimeter	Sup. in Vista Exposed surface	Jx	Wx	Jy	Wy
			<i>Kg/m</i>	mm	mm	cm ⁴	cm ³	cm ⁴	cm ³
PR75125			0515						
			1.834	400.2	168.0	47.41	9.55	41.78	11.76
			0522						
PR75126			-	-	-	-	-	-	-
PR75127			-	-	-	-	-	-	-
PR75128			-	-	-	-	-	-	-
PR75129			0552						
			1.566	539.0	154.0	40.25	11.83	18.50	2.80
			0562						
PR75130			0566						
			0.000	492.0	181.0	55.73	13.65	35.33	7.19
			0565						
PR75131			0570						
			1.178	313.3	76.0	24.04	5.92	5.28	1.61
			0569						
PR75132			0572						
			1.337	444.8	113.5	29.89	6.83	8.59	2.42
			0503						

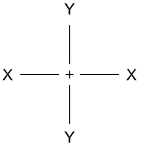
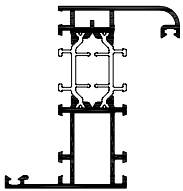
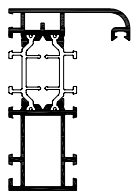
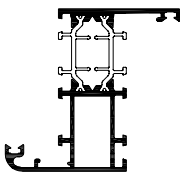
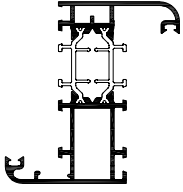

PROFILATI

Codice Code	Sezione Cross Section		Peso <i>Weight</i>	Perimetro Perimeter	Sup. in Vista Exposed surface	Jx	Wx	Jy	Wy
			<i>Kg/m</i>	mm	mm	cm ⁴	cm ³	cm ⁴	cm ³
PR75133	-	-	-	-	-	-	-	-	-
PR75134	-	-	-	-	-	-	-	-	-
PR75135	-	-	-	-	-	-	-	-	-
PR75136	-	-	-	-	-	-	-	-	-
PR75137	-	-	-	-	-	-	-	-	-
PR75138	-	-	-	-	-	-	-	-	-
PR75139		0575 0576	1.323	450.9	111.0	9.53	2.63	45.58	9.80
PR75140		-	0.805	356.0	59.0	-	-	-	-

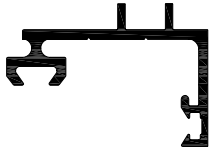







PROFILATI

Codice Code	Sezione Cross Section	Y x —+— x Y	Peso Weight Kg/m	Perimetro Perimeter mm	Sup. in Vista Exposed surface mm	Jx cm ⁴	Wx cm ³	Jy cm ⁴	Wy cm ³
PR75141	-	-	-	-	-	-	-	-	-
PR75142		0573 0540	2.851	873.0	282.5	70.92	9.03	239.2	26.02
PR75143									
PR75144									
PR75145									
PR75146			-	-	-	-	-	-	-
PR75147			-	-	-	-	-	-	-
PR75148			-	-	-	-	-	-	-

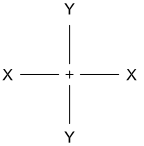
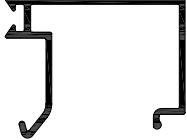
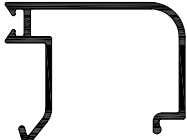
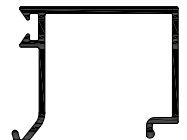
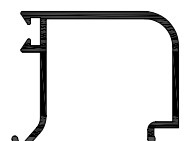
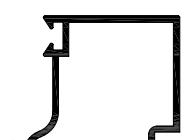
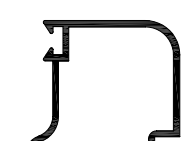


PROFILATI

Codice Code	Sezione Cross Section		Peso <i>Weight</i>	Perimetro Perimeter	Sup. in Vista Exposed surface	Jx	Wx	Jy	Wy
			Kg/m	mm	mm	cm ⁴	cm ³	cm ⁴	cm ³
PR75149			0579						
			1.548	514.0	125.0	40.95	10.01	11.75	3.21
PR75150			0553						
			1.435	450.5	103.0	33.98	7.79	8.30	2.47
PR75151			0579						
			1.438	483.5	124.0	33.76	9.22	11.80	3.19
PR75152			0552						
			1.594	530.0	130.0	42.55	10.59	13.73	3.78
PR75153			-						
			0.438	112.5	-	-	-	-	-
PR75154			-						
			-	-	-	-	-	-	-
PR75155			-						
			-	-	-	-	-	-	-
PR75156			-						
			-	-	-	-	-	-	-

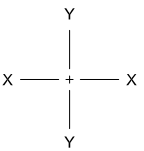
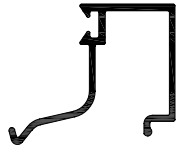
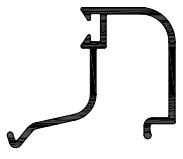
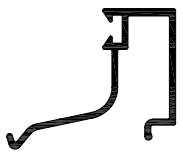
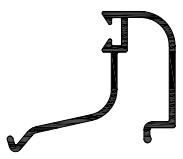



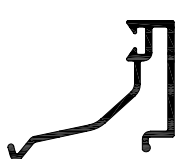
PROFILATI

Codice Code	Sezione Cross Section	Y x Y	Peso Weight Kg/m	Perimetro Perimeter mm	Sup. in Vista Exposed surface mm	Jx cm ⁴	Wx cm ³	Jy cm ⁴	Wy cm ³
PR58539			0.430	193.5	33.5				
PR58541			0.310	139.8	56.5				
PR58543			0.211	80.3	28.0				
PR58544			0.200	90.1	50.5				
PR58547			0.159	56.6	14.5				
PR58548			0.670	284.7	64.0				
PR58549			0.640	245.1	75.5				
PM40003			0.629	337.0	40.0				

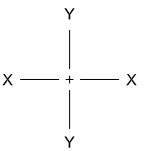
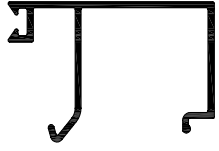
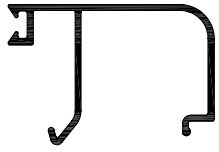
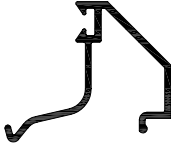
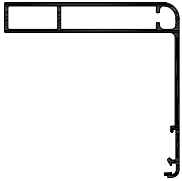
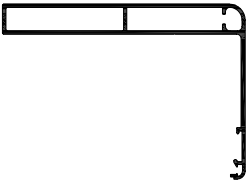
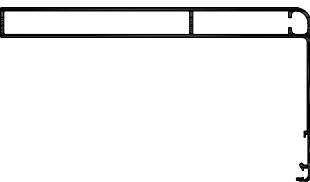
PROFILATI

Codice Code	Sezione Cross Section		Peso Weight Kg/m	Perimetro Perimeter mm	Sup. in Vista Exposed surface mm	Jx cm ⁴	Wx cm ³	Jy cm ⁴	Wy cm ³
PR58551			0.313	200.7	55.27				
PR58552			0.295	195.9	52.61				
PR58553			0.286	184.5	51.27				
PR58554			0.281	180.4	44.78				
PR58555			0.280	180.5	47.29				
PR58556			0.270	175.5	44.64				
PR58557			0.276	178.6	43.33				
PR58558			0.273	173.6	40.67				

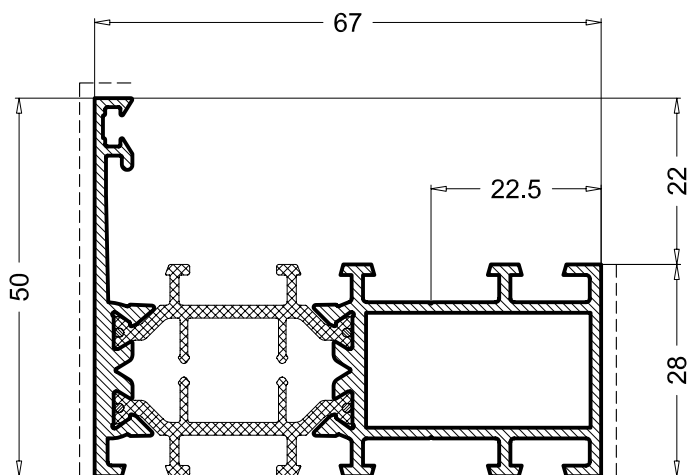
PROFILATI

Codice Code	Sezione Cross Section		Peso Weight	Perimetro Perimeter	Sup. in Vista Exposed surface	Jx	Wx	Jy	Wy
			Kg/m	mm	mm	cm ⁴	cm ³	cm ⁴	cm ³
PR58559			0.275	175.4	39.2				
PR58560			0.260	171.0	36.36				
PR58561			0.267	174.4	34.9				
PR58562			0.254	169.2	32.28				
PR58563			0.246	113.6	31.4				
PR58564			0.198	90.9	26.29				
PR58565			0.197	73.0	22.87				
PR58566			0.262	167.5	30.27				

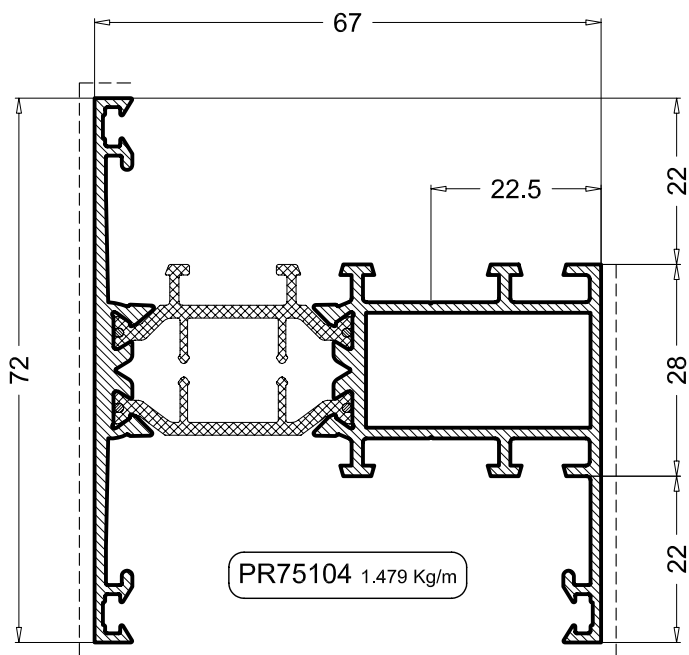
PROFILATI

Codice Code	Sezione Cross Section		Peso <i>Weight</i>	Perimetro Perimeter	Sup. in Vista Exposed surface	Jx	Wx	Jy	Wy
			<i>Kg/m</i>	mm	mm	cm ⁴	cm ³	cm ⁴	cm ³
PR58567			0.332	215.8	60.27				
PR58568			0.324	211.0	57.61				
PR58569			0.252	162.0	33.0				
PR66143		-	1.050	522.0	160.5	18.27	3.145	27.46	5.49
PR66144		-	1.277	642.0	290.5	19.65	3.26	62.13	9.21
PR66145		-	1.504	762.0	220.5	20.69	3.35	117.67	13.98

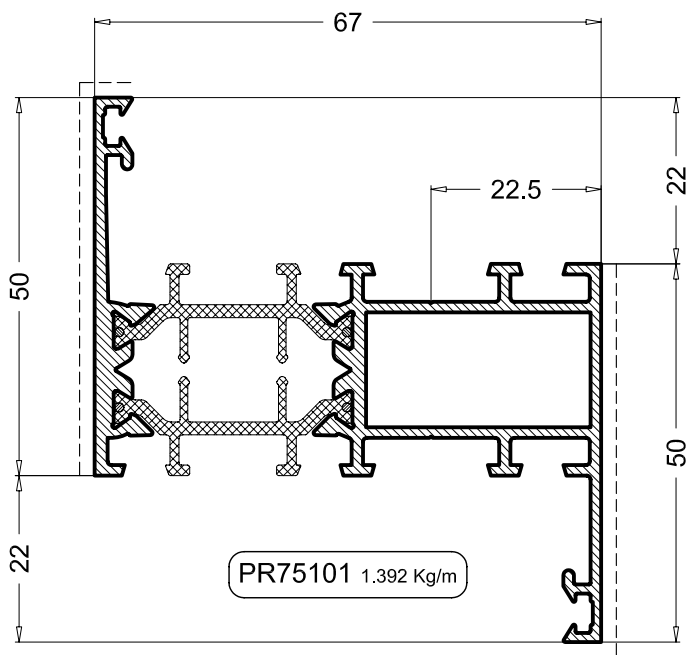
PROFILI TELAIO



PR75102 1.279 Kg/m

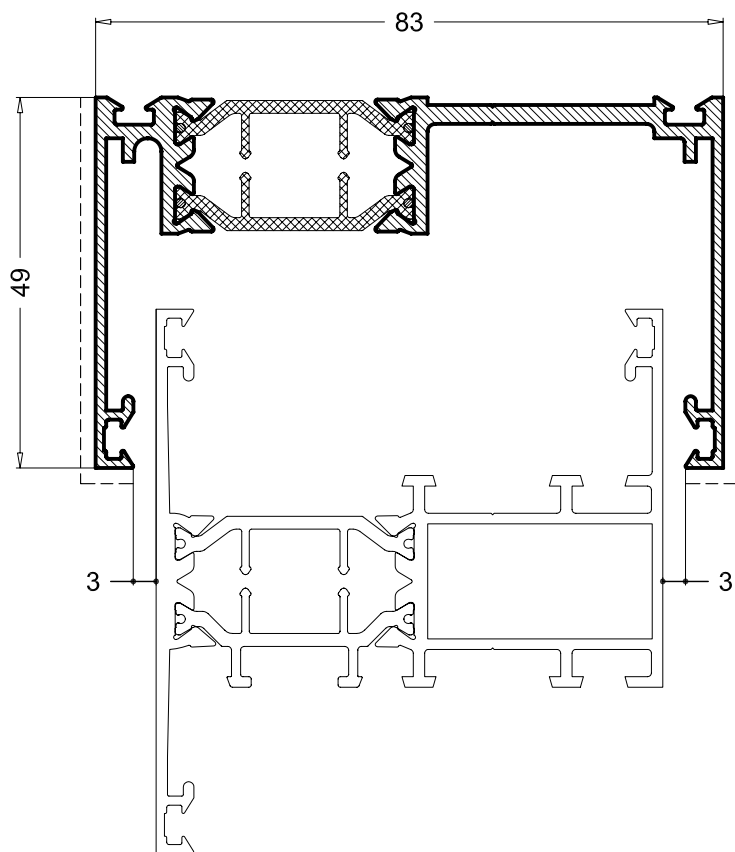
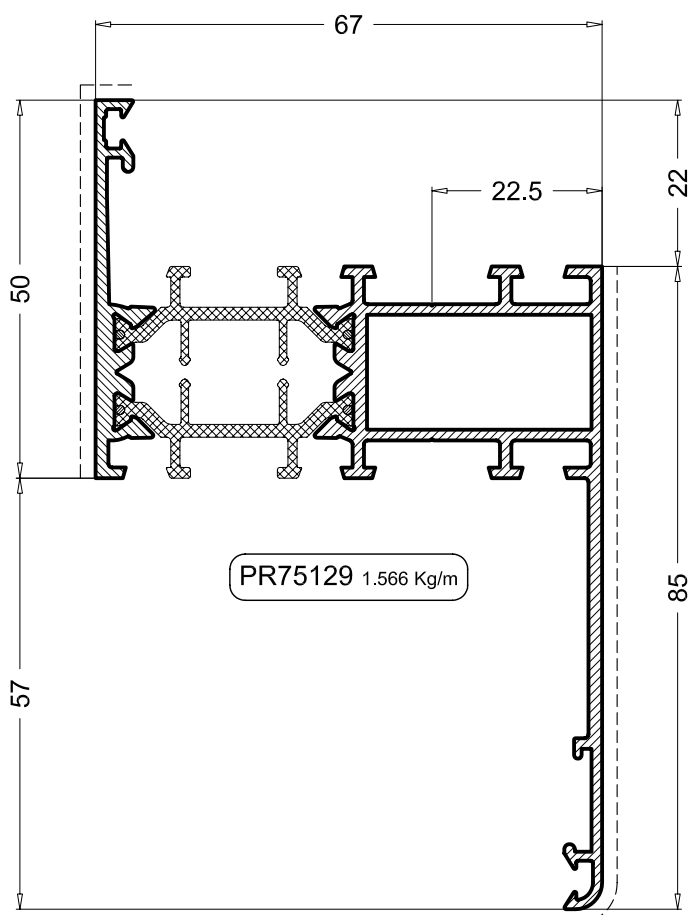
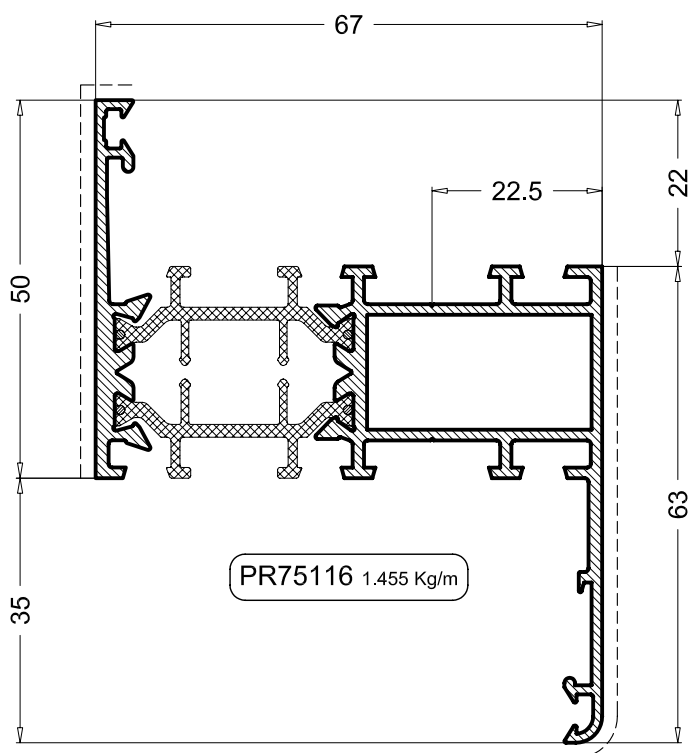


PR75104 1.479 Kg/m

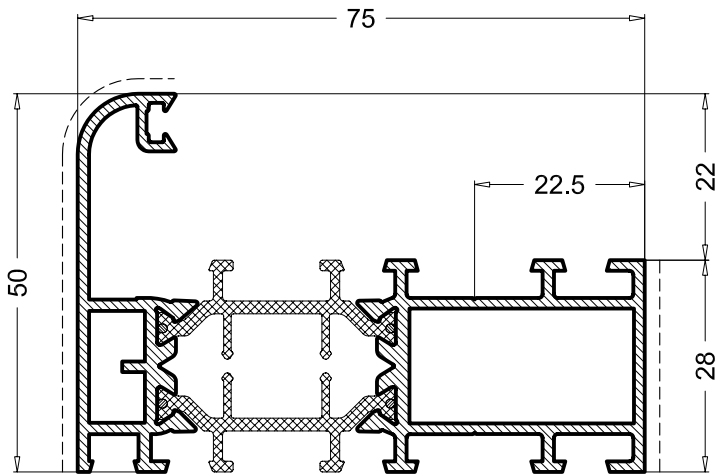


PR75101 1.392 Kg/m

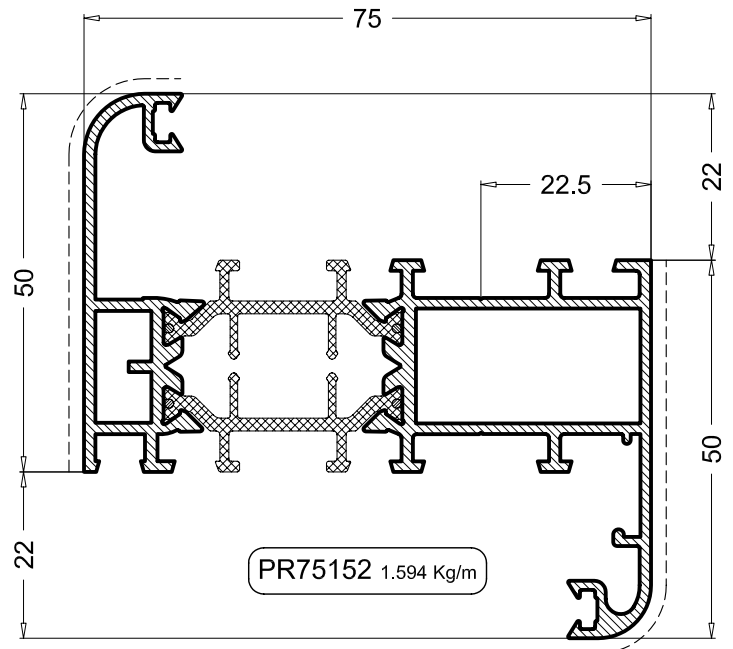
PROFILI TELAIO



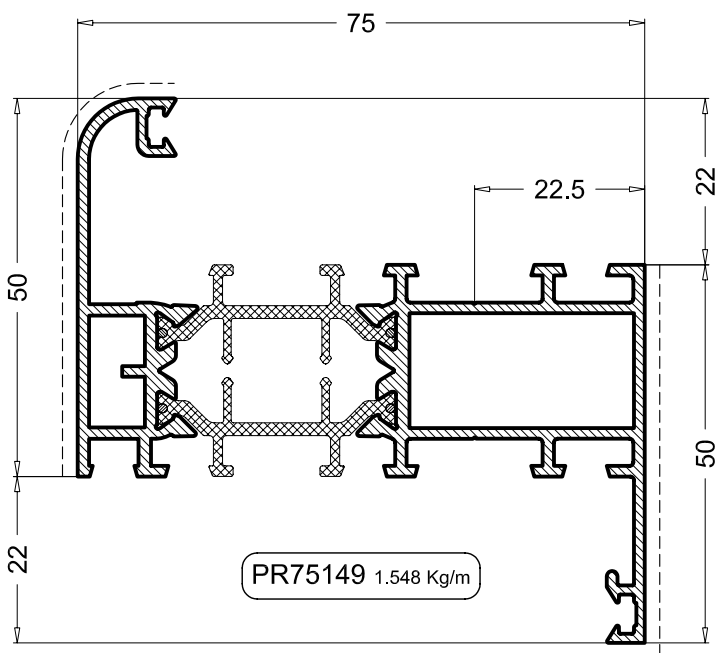
PROFILI TELAIO



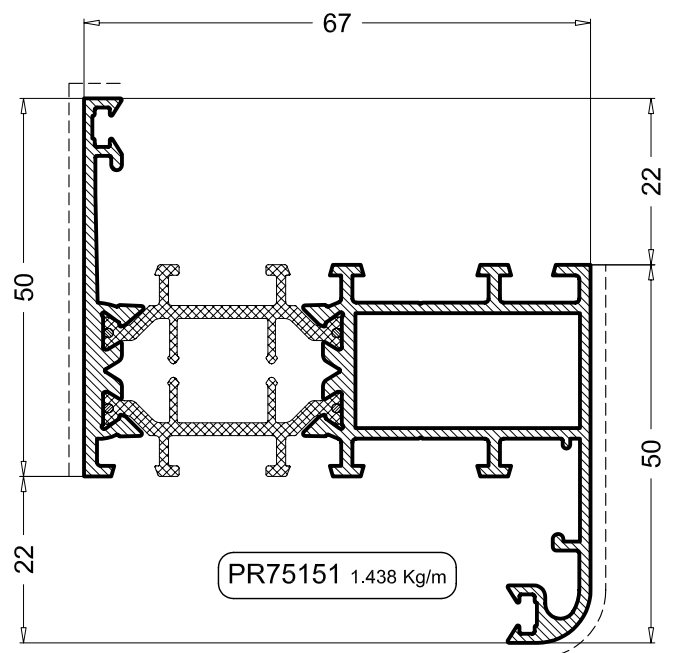
PR75150 1.435 Kg/m



PR75152 1.594 Kg/m

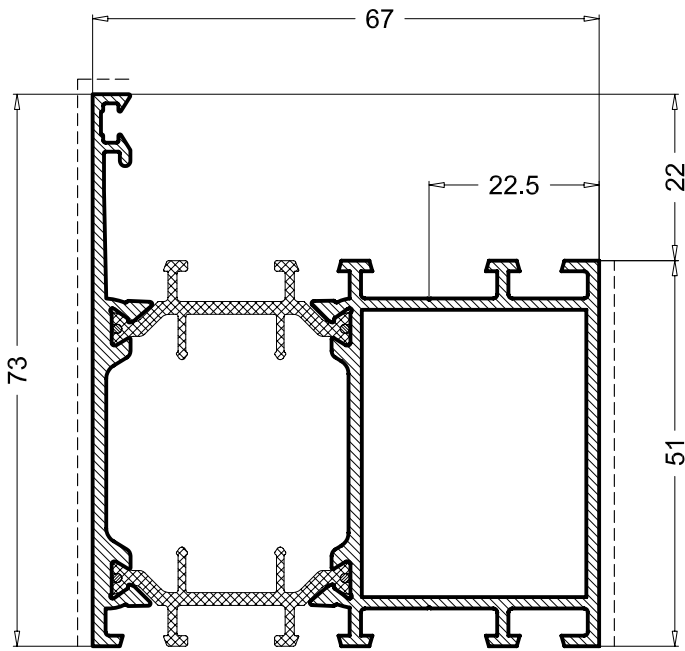


PR75149 1.548 Kg/m

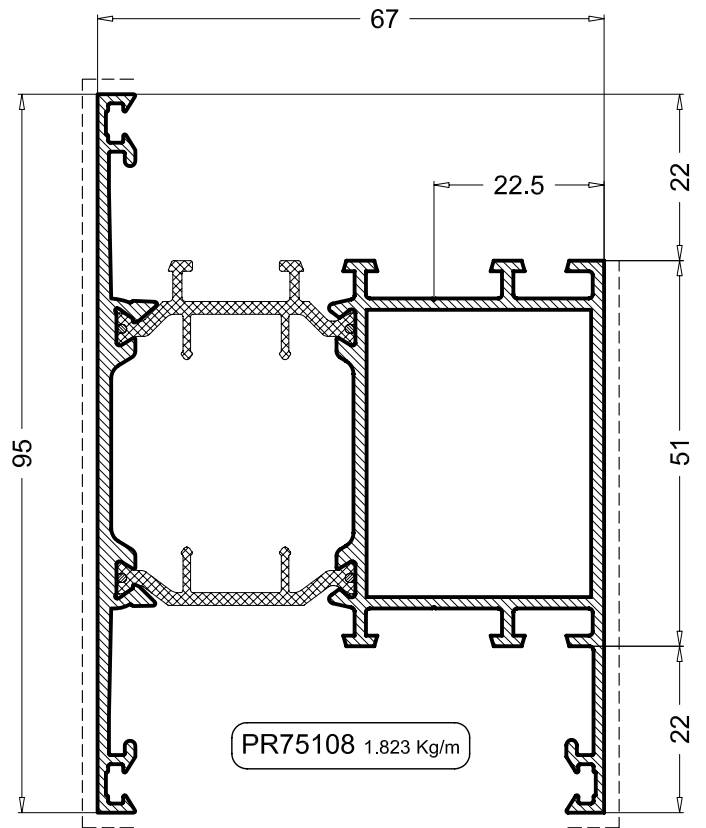


PR75151 1.438 Kg/m

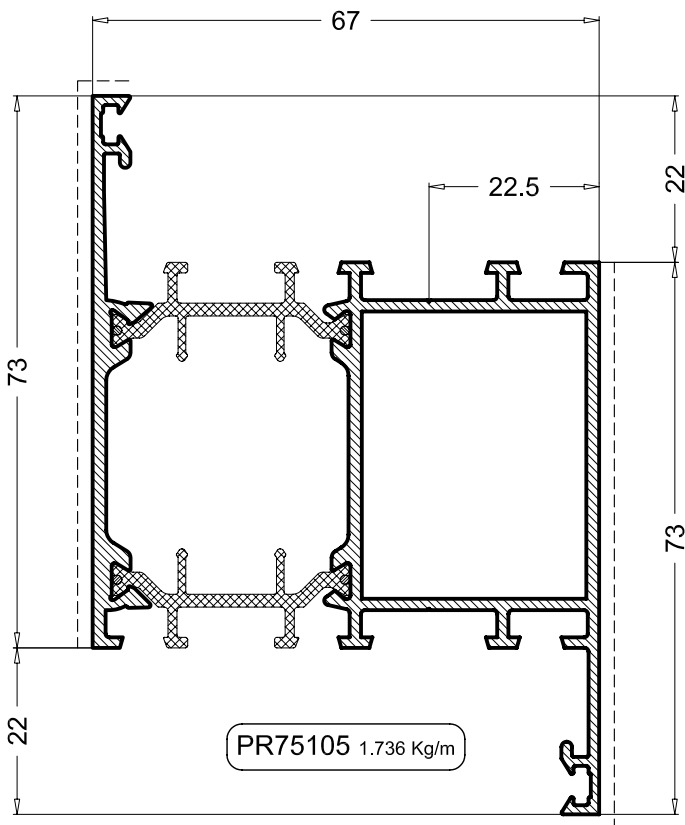
PROFILI TELAIO



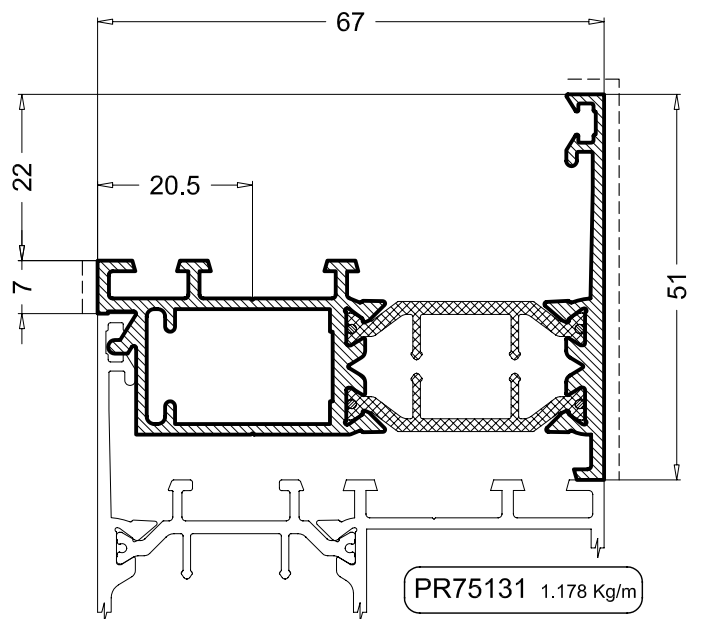
PR75106 1.626 Kg/m



PR75108 1.823 Kg/m

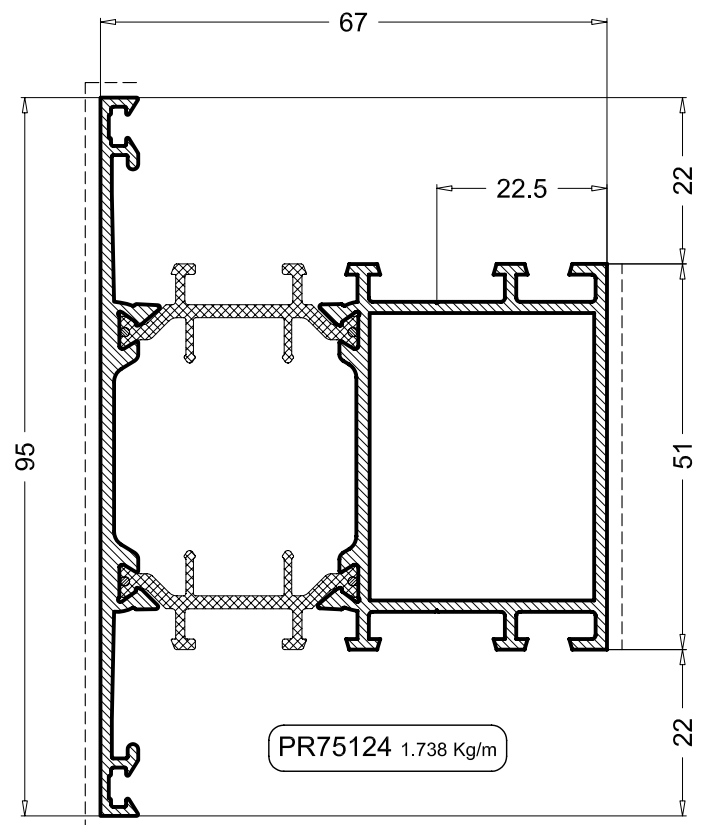
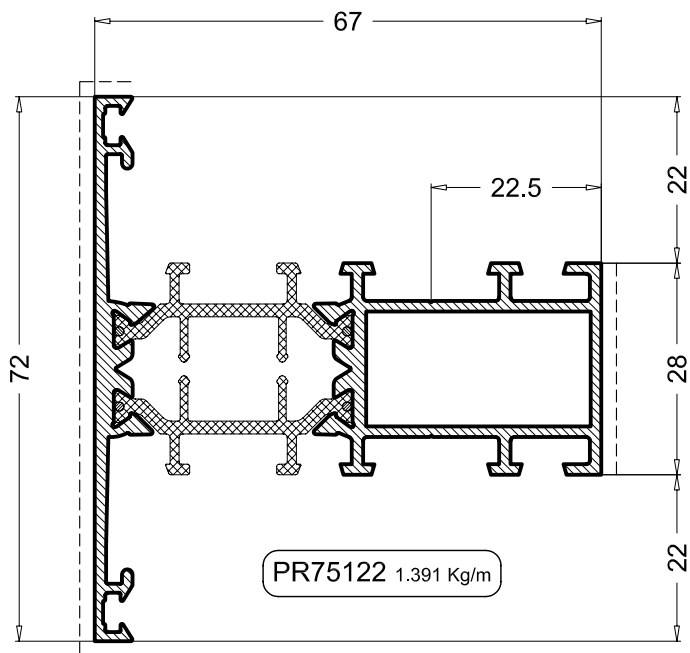


PR75105 1.736 Kg/m

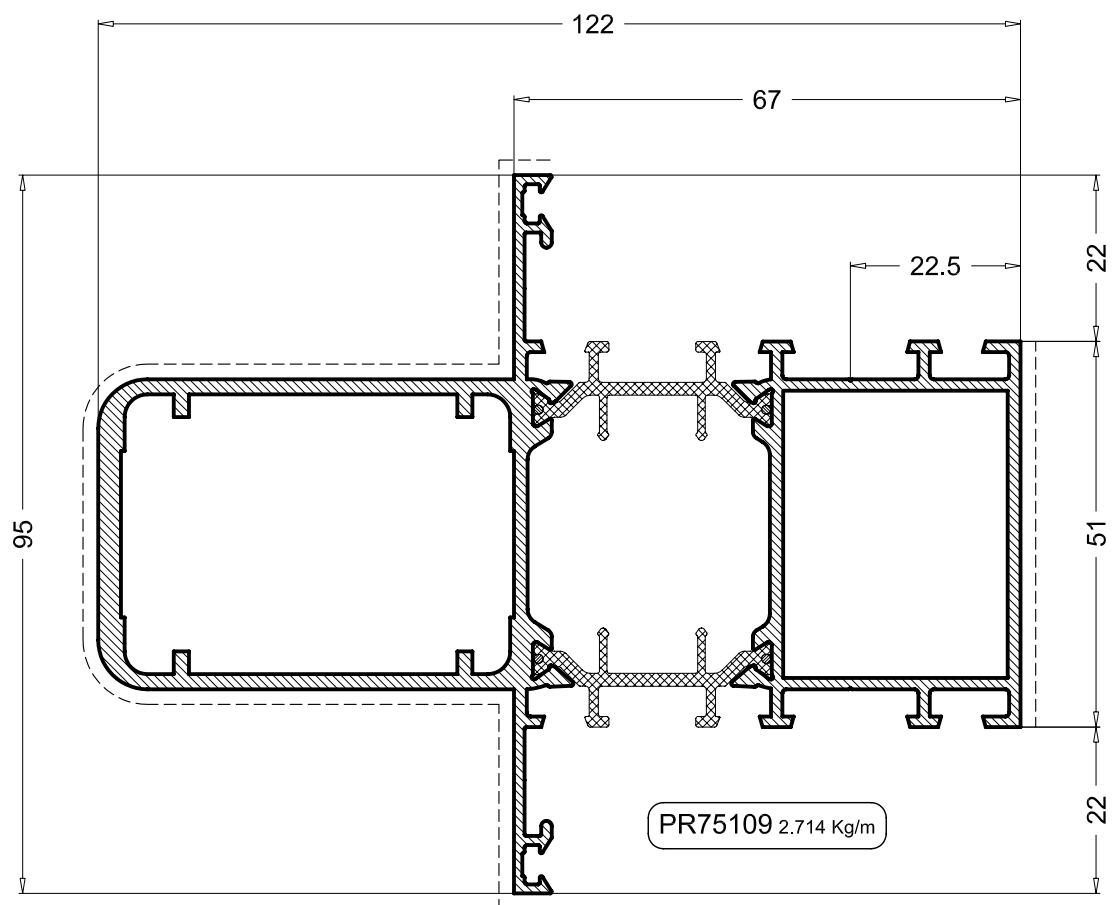


PR75131 1.178 Kg/m

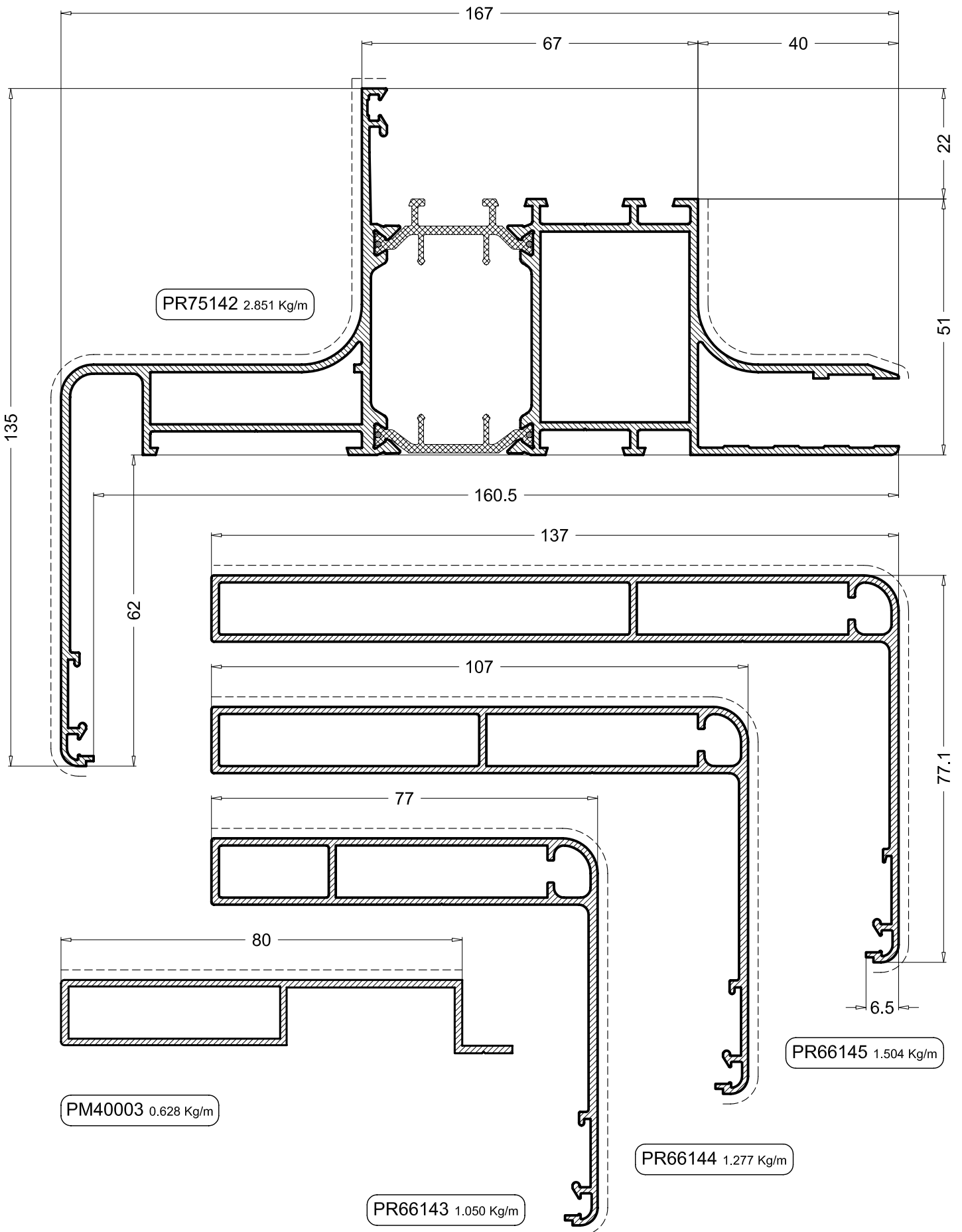
PROFILI TELAIO



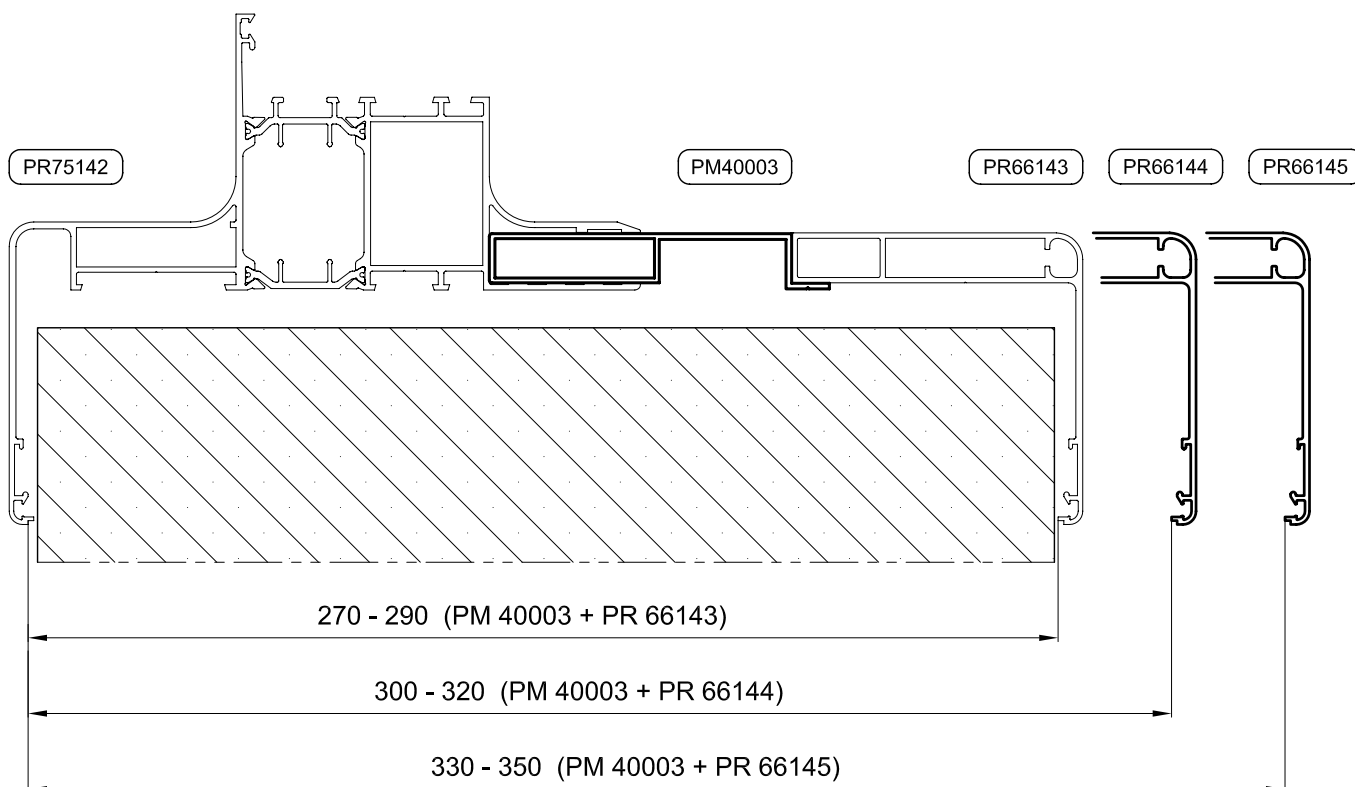
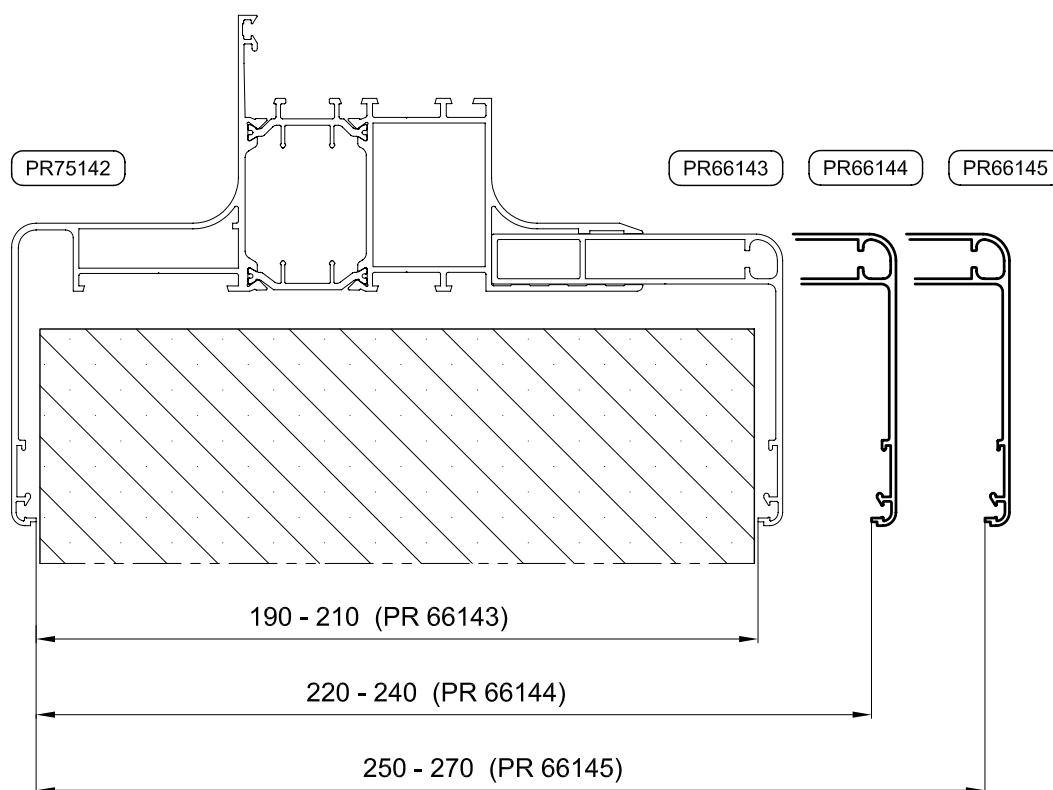
PROFILI TELAIO



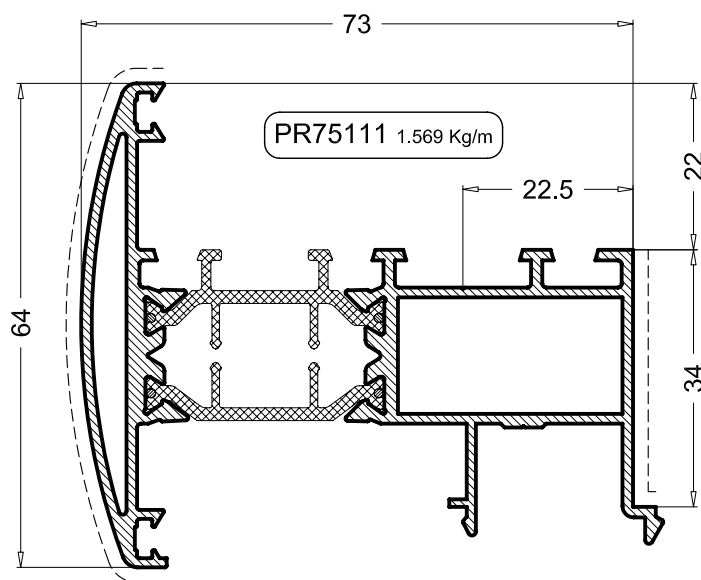
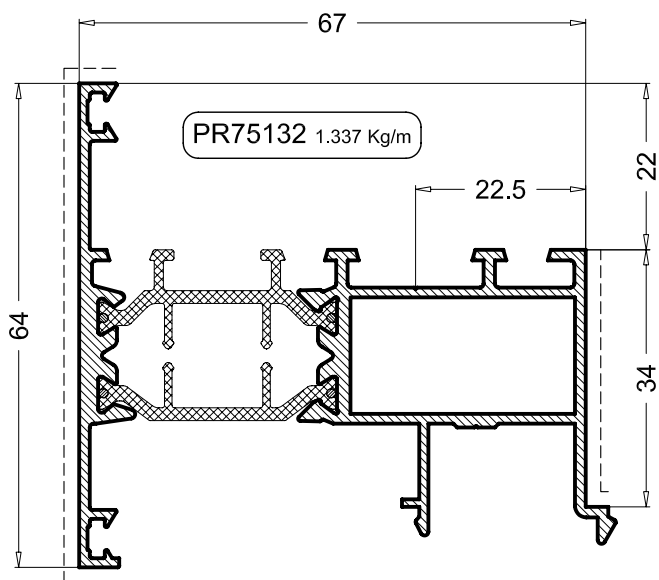
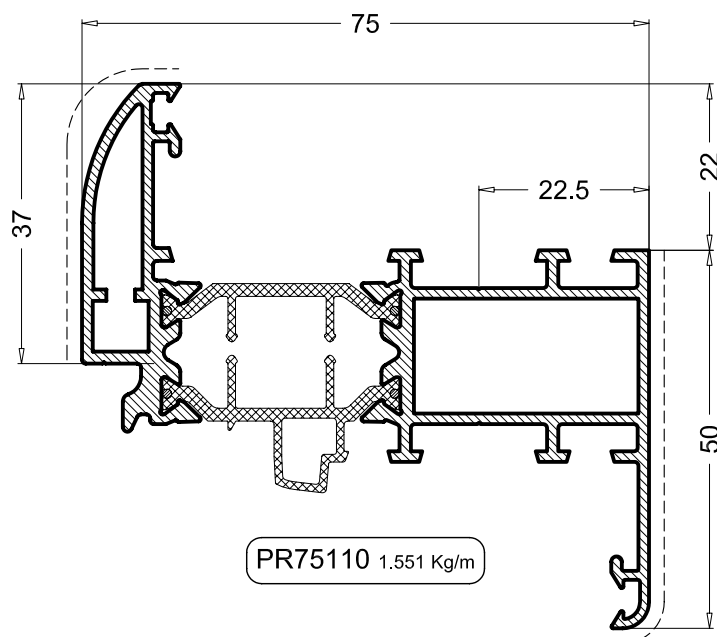
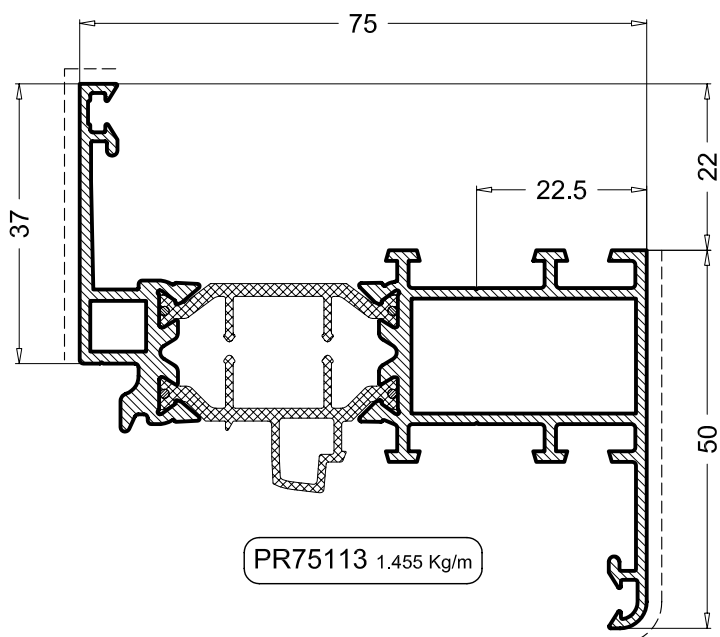
PROFILI TELAIO



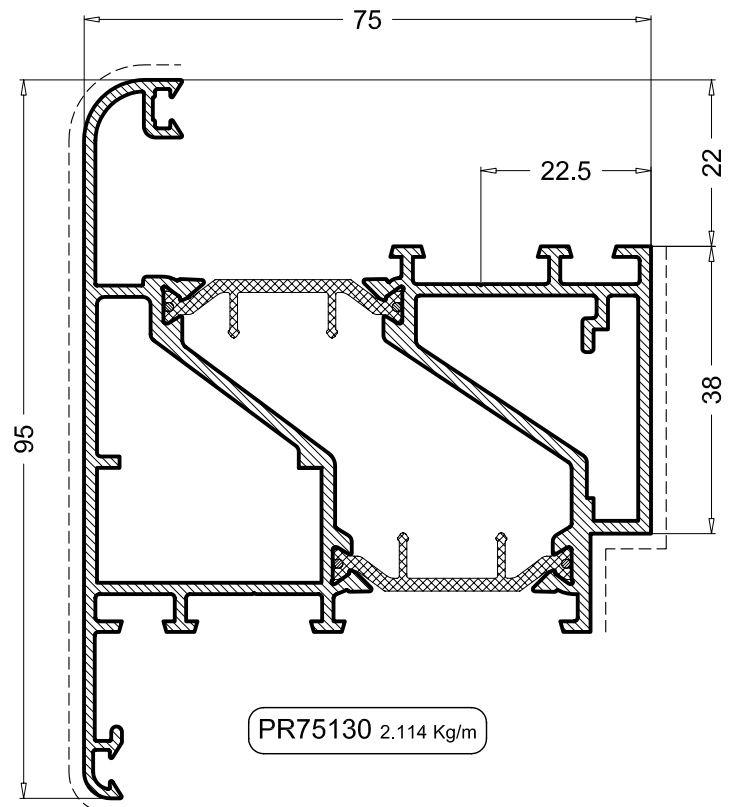
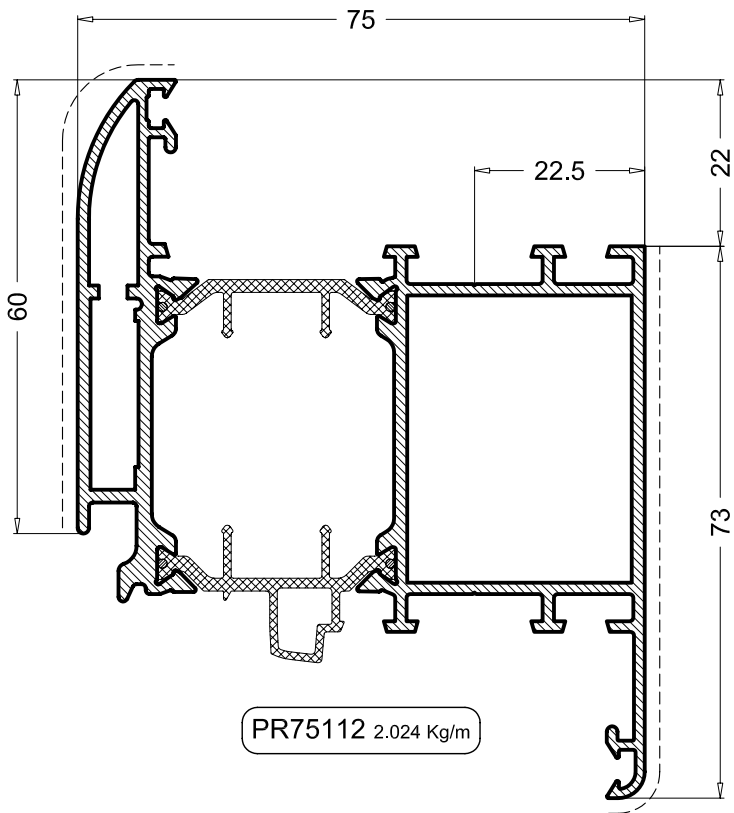
PROFILI TELAIO



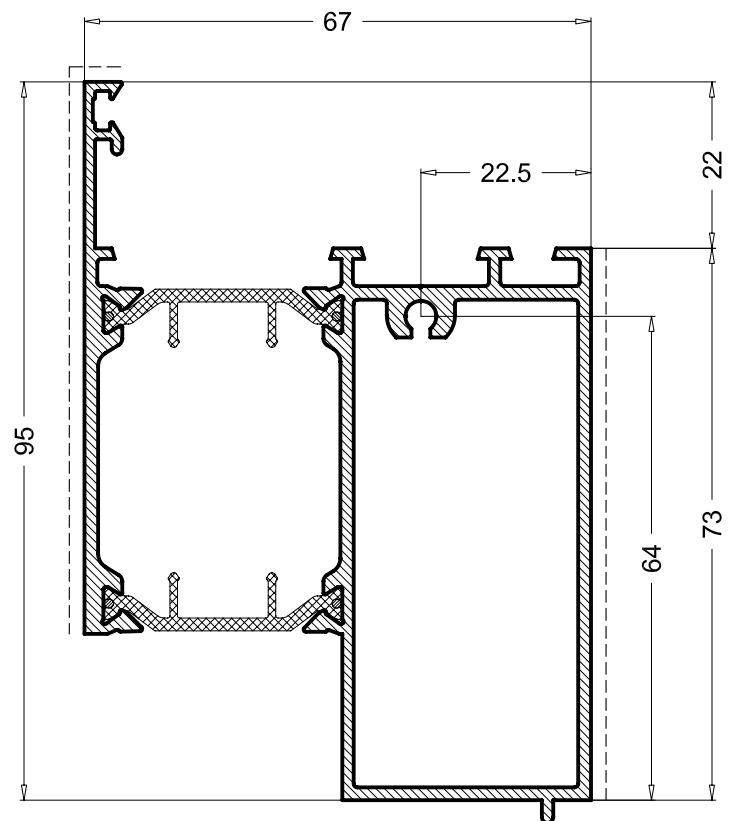
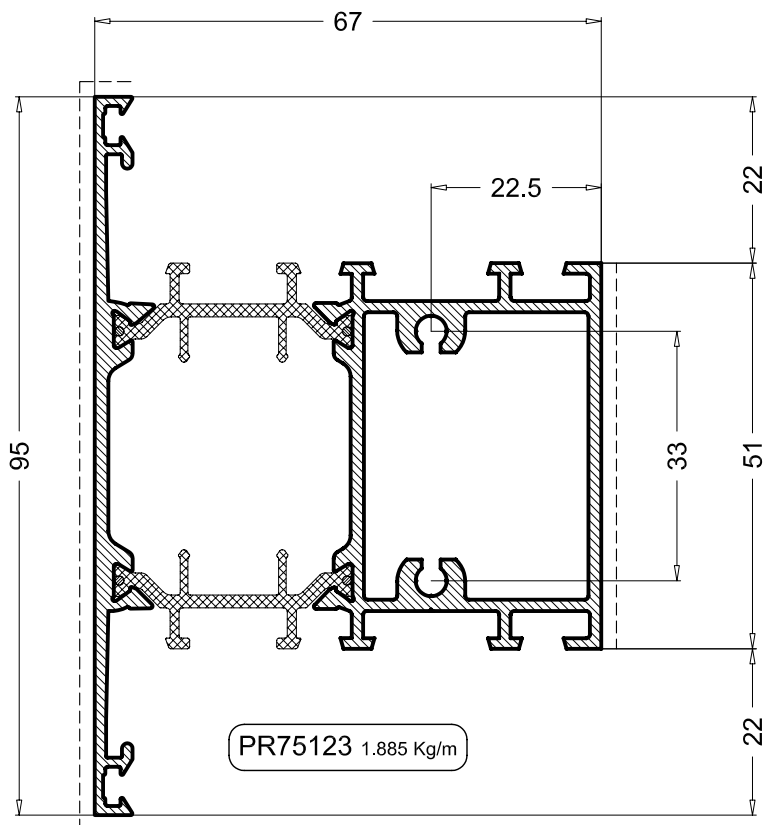
PROFILI ANTA



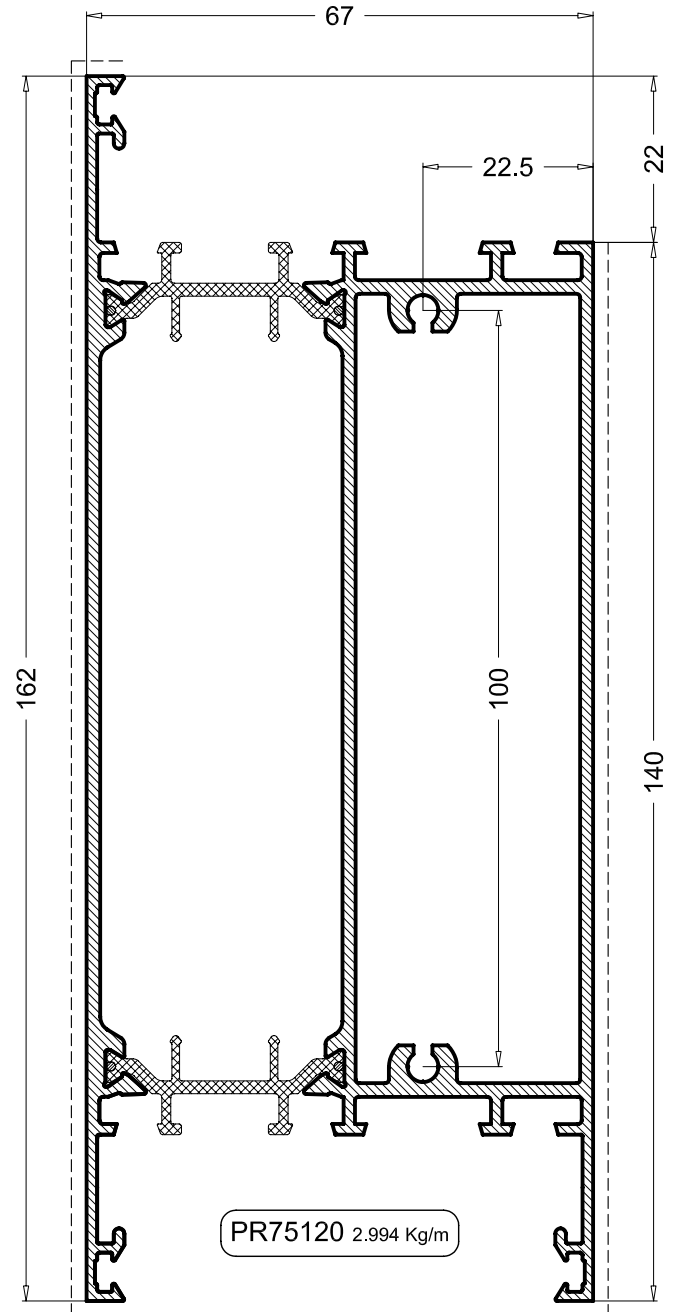
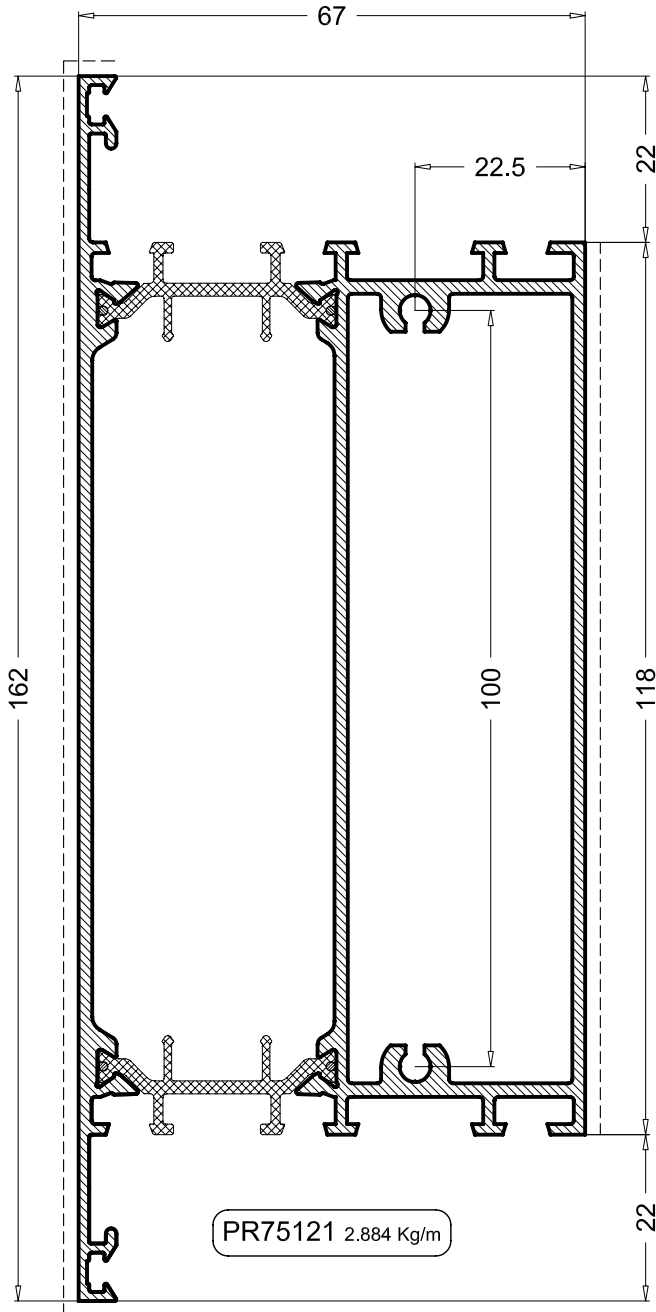
PROFILI ANTA



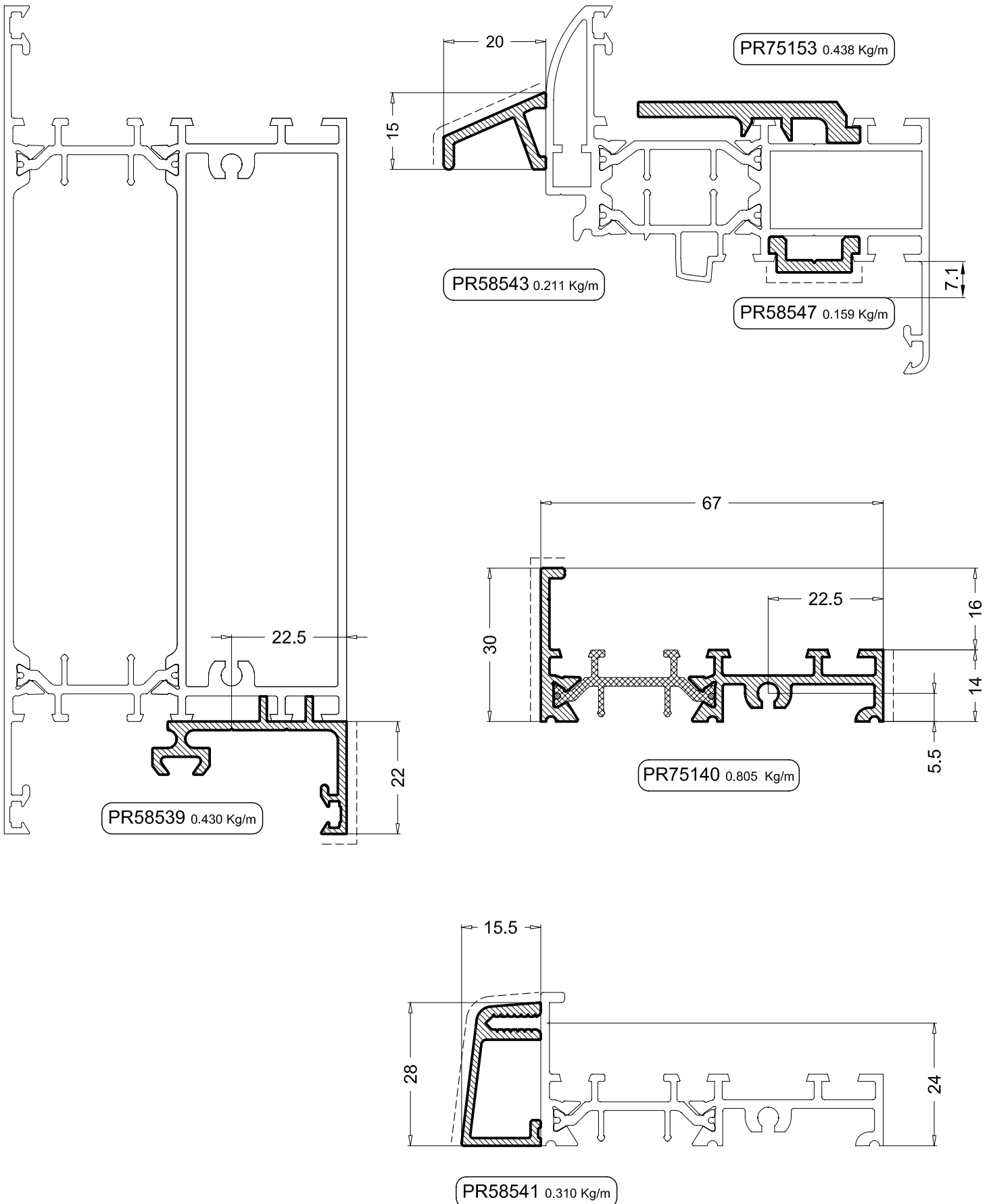
PROFILI TRAVERSO - ZOCCOLO



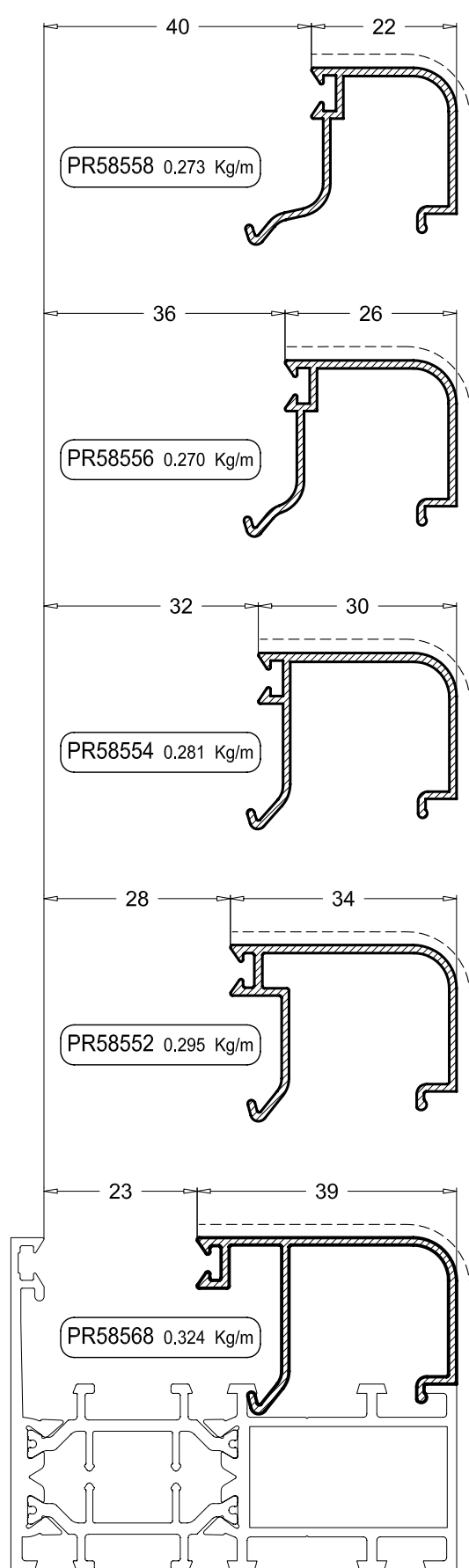
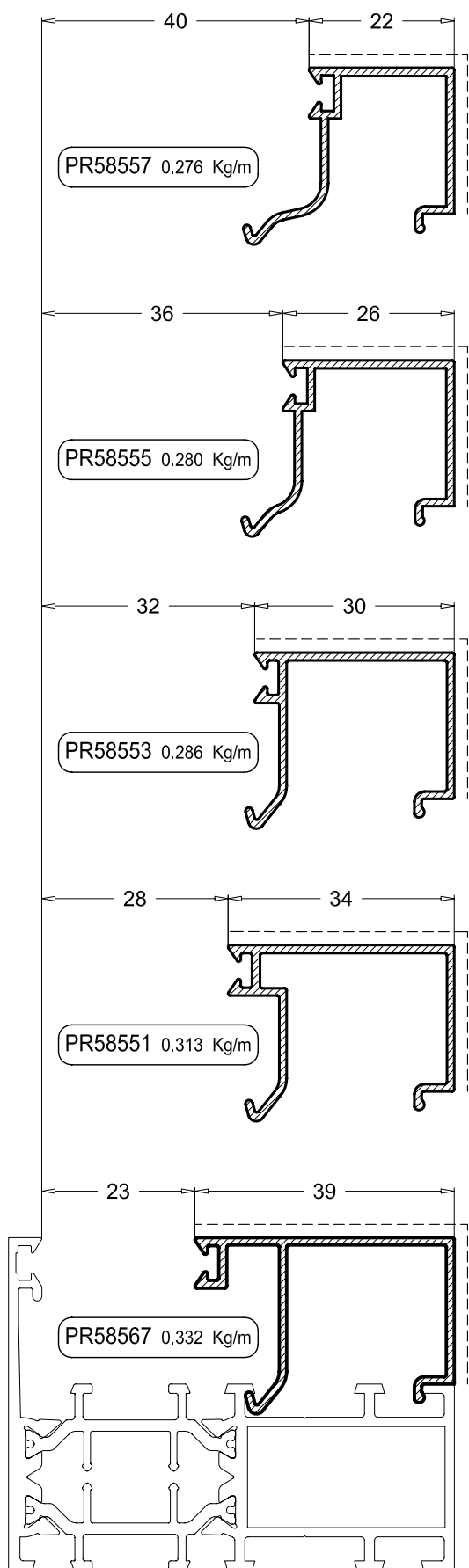
PROFILI FASCIA - ZOCCOLO



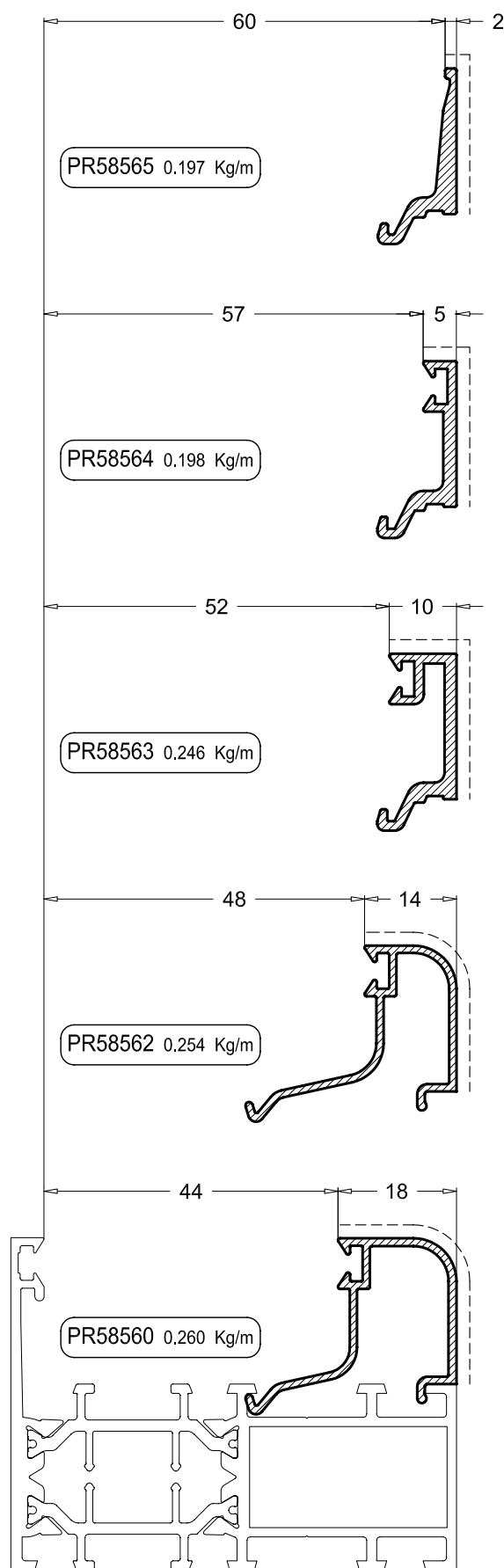
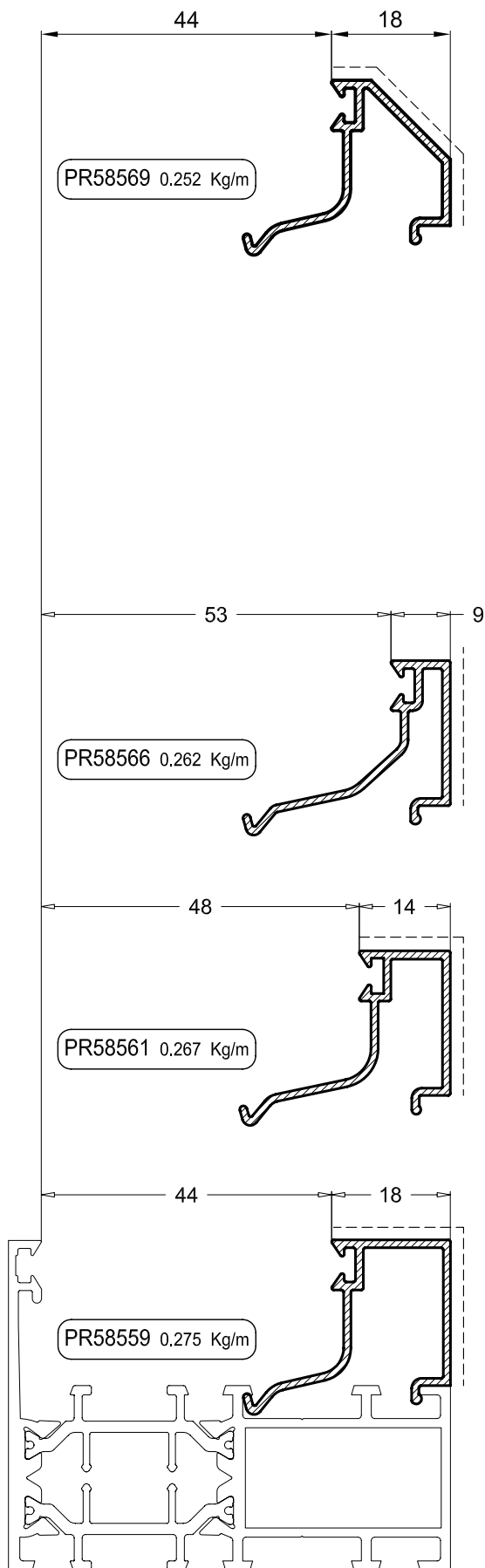
PROFILI VARI



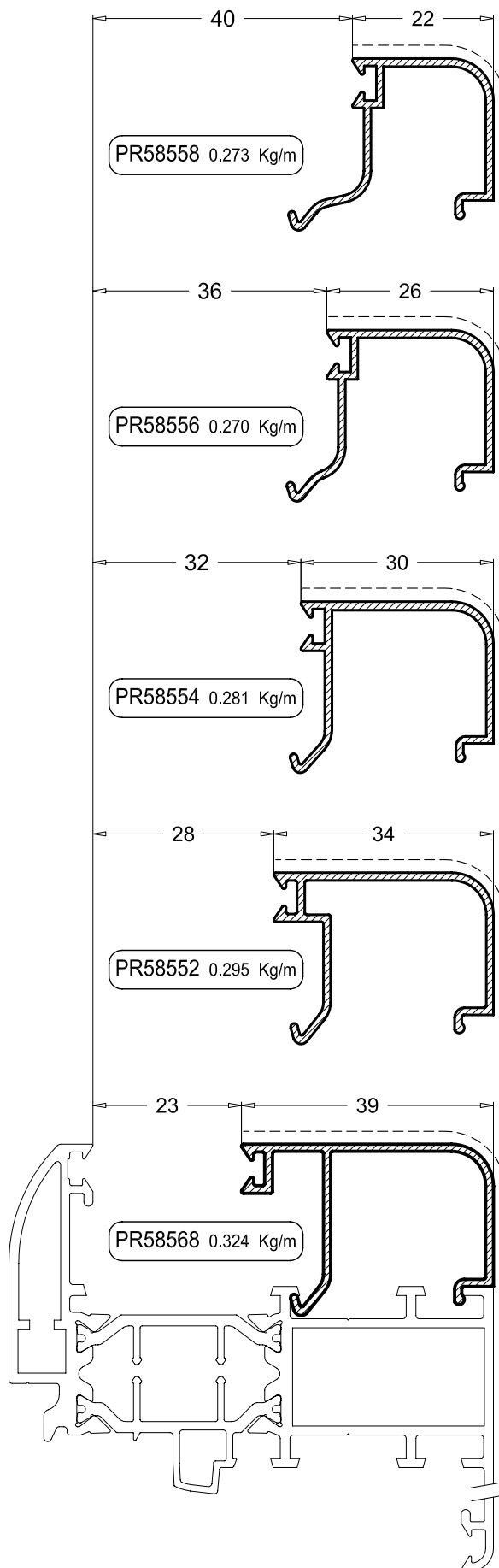
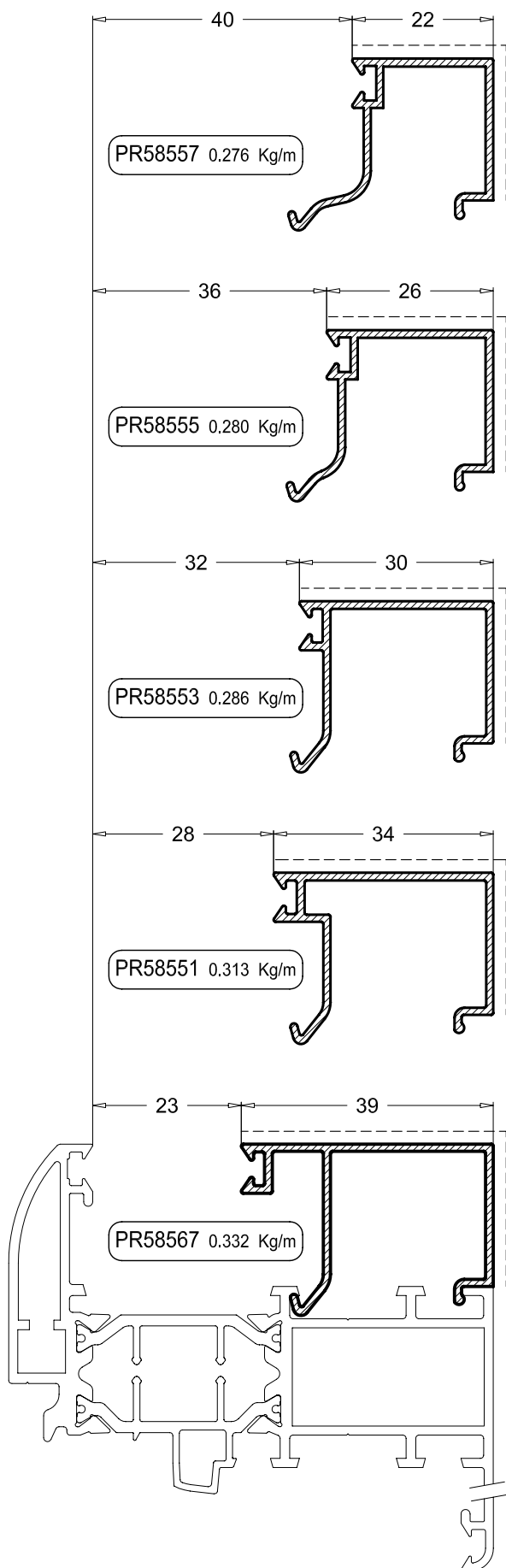
PROFILI FERMAVETRO



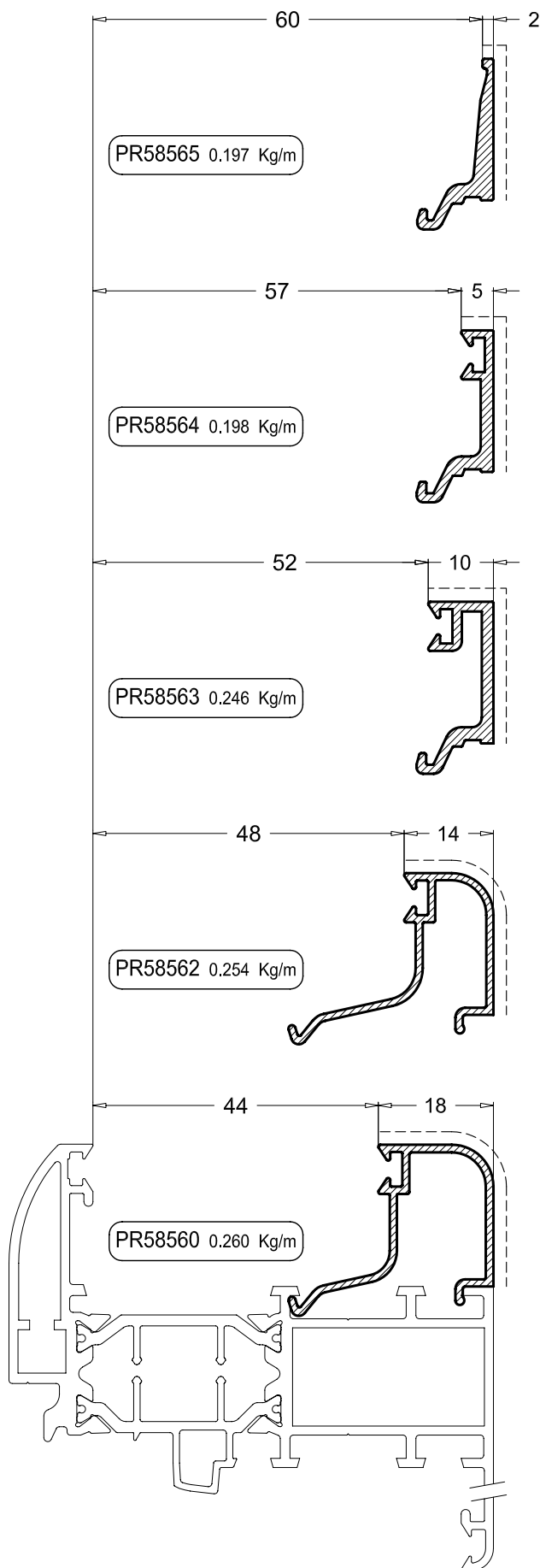
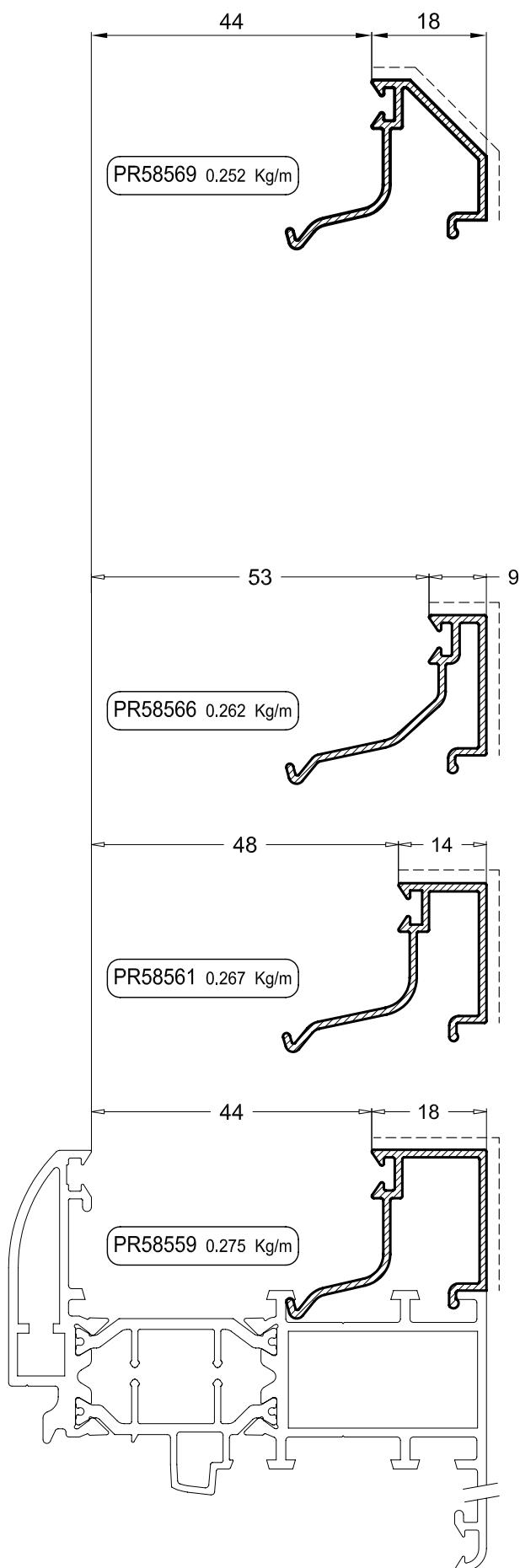
PROFILI FERMAVETRO



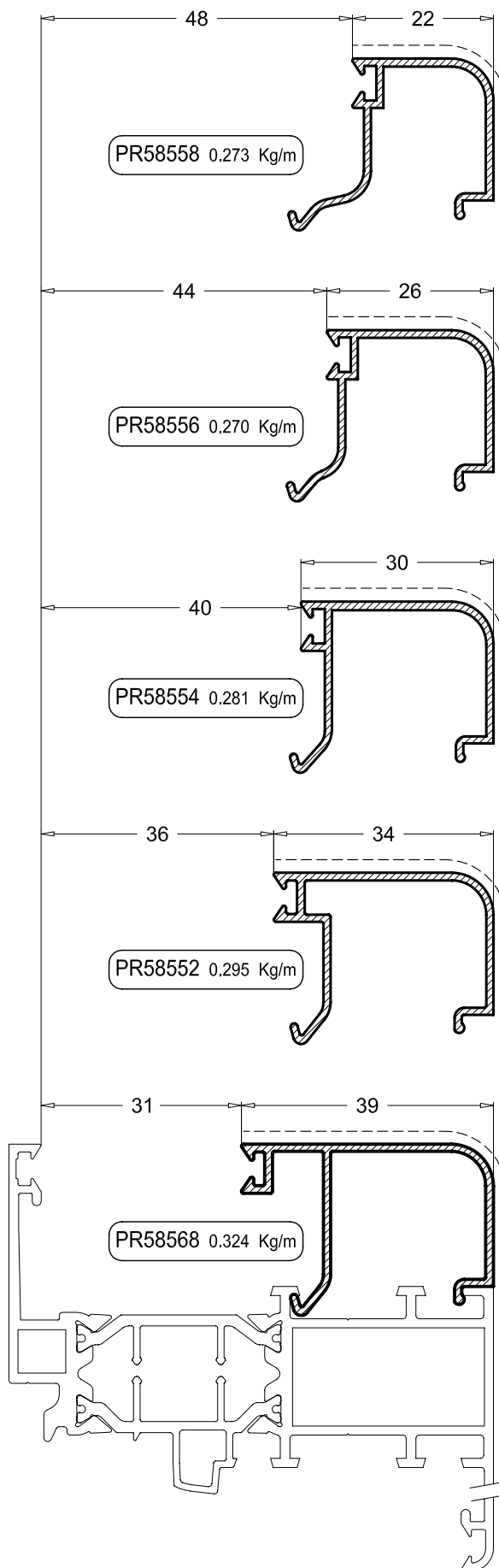
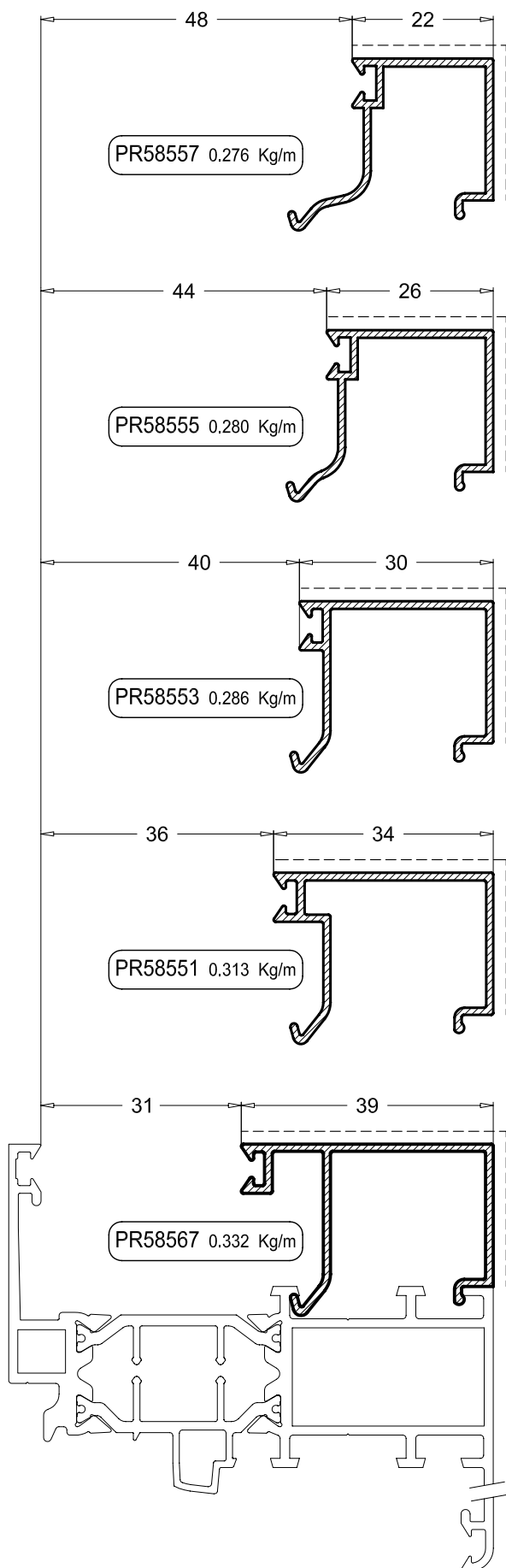
PROFILI FERMAVETRO



PROFILI FERMAVETRO



PROFILI FERMAVETRO



PROFILI FERMAVETRO

